



**KARBA İTFAİYE SU POMPALARI**  
**KARBA FIREFIGHTING PUMPS**

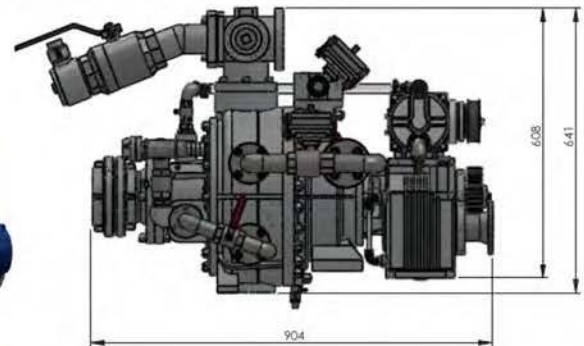
OTOMOTİV MAKİNA SANAYİ VE TİCARET LTD.ŞTİ.  
AUTOMOTIVE MACHINE IND. AND TRADE LTD.CO.



- Mano vacuum meters;
- low pressure manometer;
- high pressure manometer;
- manometer, determining the level of water in a tank from hydrates;
- manometer, determining the level of water in a tank;
- manometer, determining the level of foam in the tank;
- a measurer of the speed of the pump shaft rotation;
- an adjustor for a tank car engine rotation ;
- a tank car engine output;
- counter of the pump work motorcade;
- schematic banner for designing and using the pumps, buttons, switchers and display-locker devices (tablets).
- light switch

Model	KRB 1500 N	KRB 2000 N	KRB 3000 NH	KRB 3000 NH Brass	KRB 4000 N
Type	Centrifugal	Centrifugal	Centrifugal	Centrifugal	Centrifugal
Stages	2	2	2 Normal Pressure 3 High Pressure	1 Normal Pressure 2 High Pressure	2
Max. Flow Rate	1500 Lt/min-10 Bar	2000 Lt/min-10 Bar	3000 Lt/min-10 Bar 250 Lt/min 40 bar	3000 Lt/min-10 Bar 350 Lt/min 40 bar	4000 Lt/min-10 Bar
Material	Aluminium body	Aluminium body	Aluminium body	Body, Diffusors, Guide and Propeller is Brass material. Pump Shaft will be Stainless Steel material.	Aluminium body
Driven Type	PTO - Transfer Case	PTO - Transfer Case	PTO - Transfer Case	PTO - Transfer Case	PTO - Transfer Case
Rpm	3200	3200	3600	3600	3600
Gear Box	Coupled to pump	Coupled to pump	Coupled to pump	Coupled to pump	Coupled to pump
Suction Inlet Dia (Std.)	4"	4"	4"	4"	4"
Outlets (Std.)	2x 2" - 2 x 2.5"	2x 2" - 2 x 2.5"	2x 2" - 2 x 2.5"	2x 3"	2x 2" - 2 x 2.5"
Work for in same time with following pipes			1 unit high pressure pipe, 1 unit air-foam pipe All type of water sprayers	1 unit high pressure pipe, 1 unit air-foam pipe All type of water sprayers	
By-pass System		Available	Available	Available	Available
Vacuum System		Automatic. Not less than 7,5mt.	Automatic. Not less than 7,5mt.	Automatic. Not less than 7,5mt.	Automatic. Not less than 7,5mt.
Foam Propotioning	0% - 6%	0% - 6%	0% - 6%	0% - 6%	0% - 6%
Control system	With/Without Control Panel	Control Panel	Control Panel or Op. Cabin Controlled	Control Panel	Control Panel or Op. Cabin Controlled

\*\*\* Water suction and filling systems should be protected against the unwanted materials.

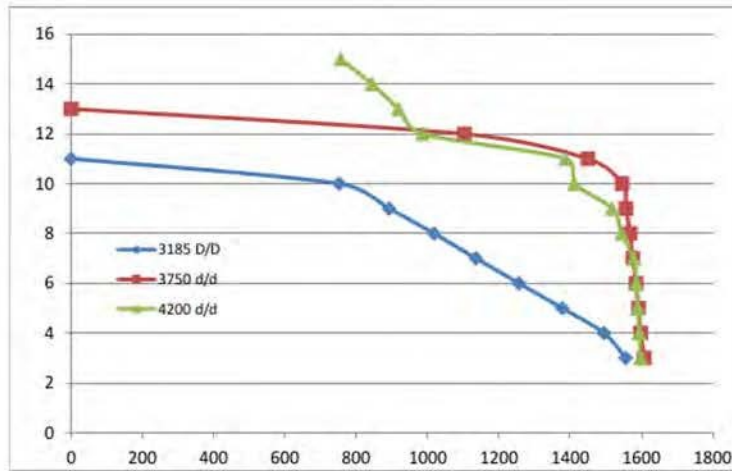




**KARBA İTFAİYE SU POMPALARI**  
**KARBA FIREFIGHTING PUMPS**

OTOMOTİV MAKİNA SANAYİ VE TİCARET LTD.ŞTİ.  
 AUTOMOTIVE MACHINE IND. AND TRADE LTD.CO.

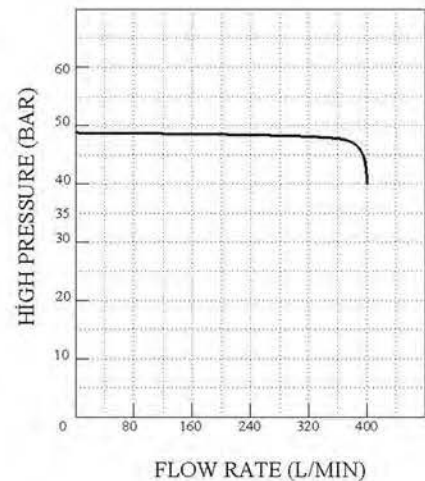
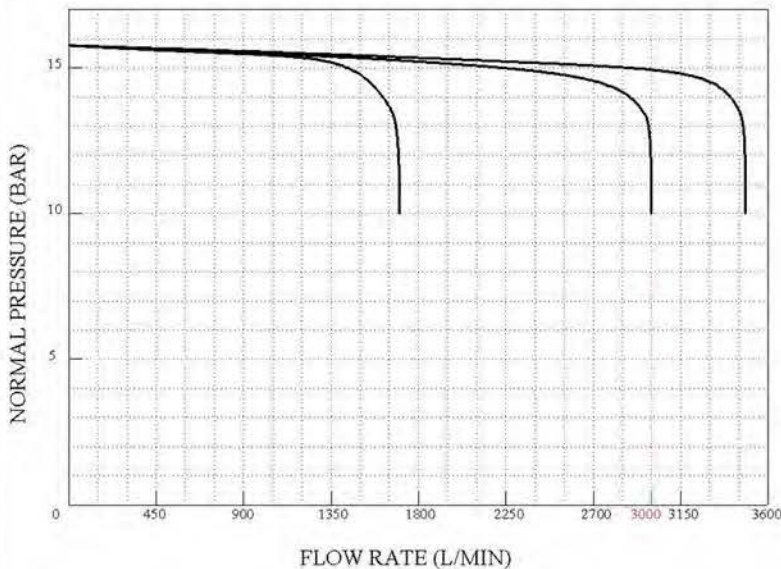
**KARBA 1500N PUMP PERFORMANCE CHART**



**Technical Explanations**

Karba pumps have Normal and High Pressure types. Pump body and diffusor body are made of eloxal light alloy material resisting to sea water and pump shaft is made of stainless steel. Pump water proofing is provided by mechanical seal so frequent maintenance operations are not required. Pump has a reducer coupled on it to increase the revolution and automatic primer suction system is featured via an additional device. Pump is equipped with foam proportioning system which can be adjustable between 0%-6% ratios. System can suck foam from internal or outer sources via automatic suction system. As standard feature, pump has one unit 4 inch suction inlet with filter, two units 2,5 inch and two units 2 inch water outlets with couplings and caps. High pressure pumps also have high pressure hose reel outlets. Pump outlet diameters could be changed according to the customer requirements. All valves on the pump are made of stainless steel. All controls for pump are featured on the control panel incorporated with pump itself.

**KARBA 3000NH PUMP PERFORMANCE CHART**

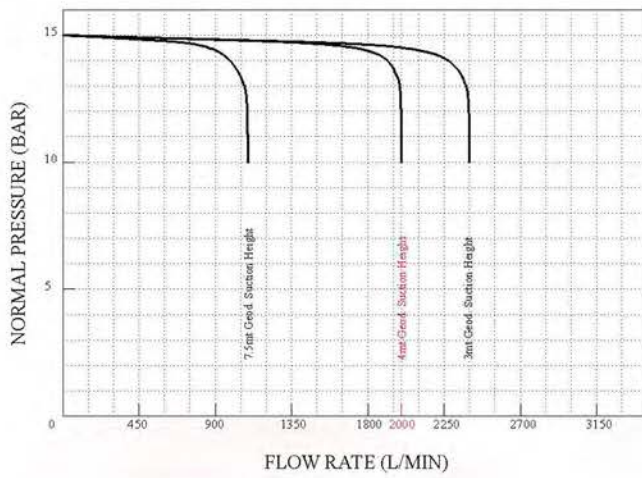




**KARBA İTFAİYE SU POMPALARI**  
**KARBA FIREFIGHTING PUMPS**

OTOMOTİV MAKİNA SANAYİ VE TİCARET LTD.ŞTİ.  
 AUTOMOTIVE MACHINE IND. AND TRADE LTD.CO.

**KARBA 2000N PUMP PERFORMANCE CHART**



**KARBA 4000N PUMP PERFORMANCE CHART**

